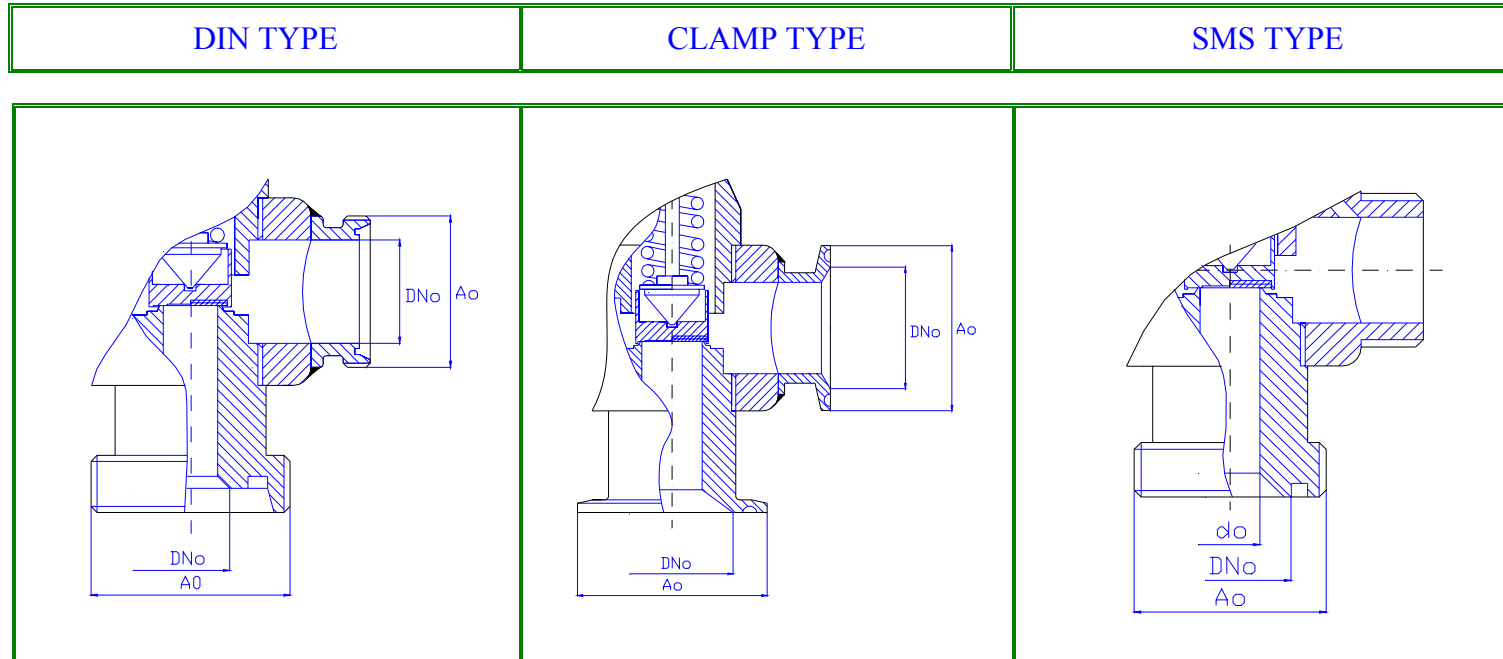
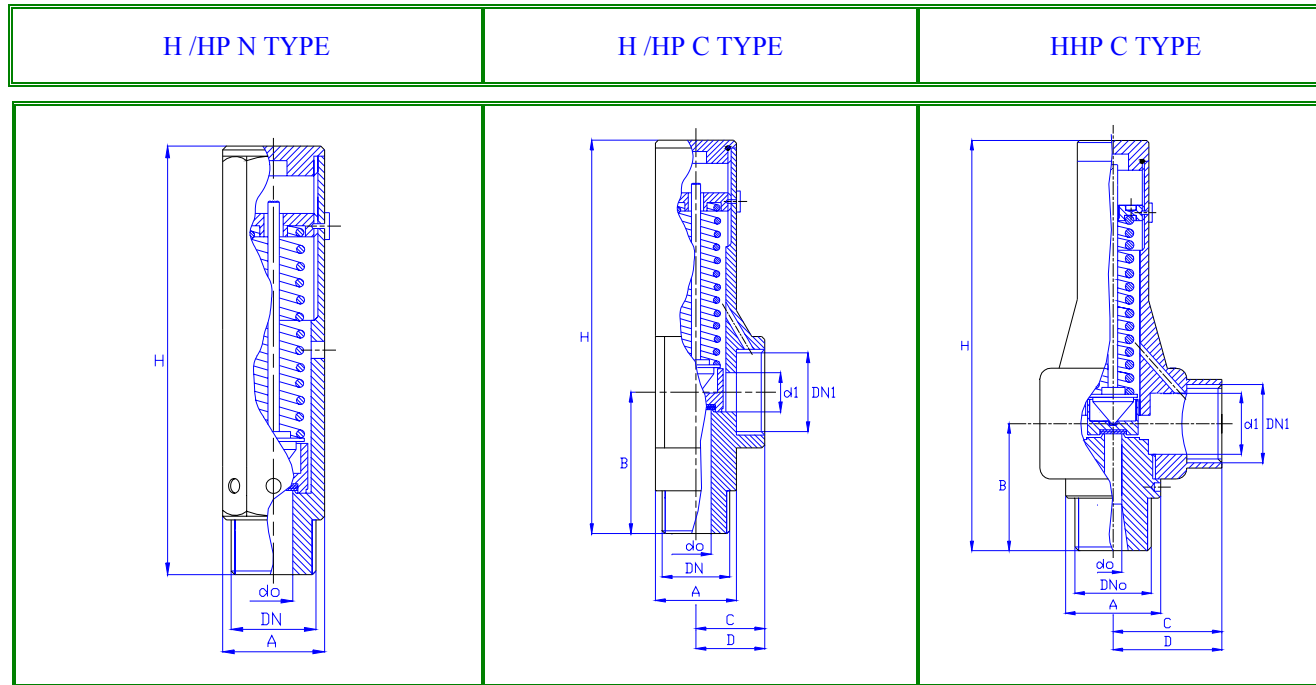


**SPECIAL CONNECTIONS**



DIN		CLAMP		SMS	
DNo	Ao	DNo	Ao	DNo	Ao
DN 15 DIN	Rd 34X1/8"	1" T.C.	50,5	SMS S25	Rd 40X1//6"
DN 20 DIN	Rd 44X1/6"	1 1/2 T.C.	50,5	SMS S38	Rd 60X1/6"
DN 25 DIN	Rd 52X1/6"	2" T.C.	64	SMS S51	Rd 70X1/6"
DN 32 DIN	Rd 58X1/6"	2 1/2 T.C.	77,4		
DN 40 DIN	Rd 65X1/6"				
DN 50 DIN	Rd 78X1/6"				



<b>SAFETY VALVES FOR HIGH PRESSURE</b>
<b>MATERIALS</b>
EN 12164 CW 614N BRASS
EN 1982 Cu Sn5 Zn5 Pb5 BRONZE
316 L STAINLESS STEEL
<b>OVERPRESSURE 10%</b>
<b>BLOWDOWN 10%</b>

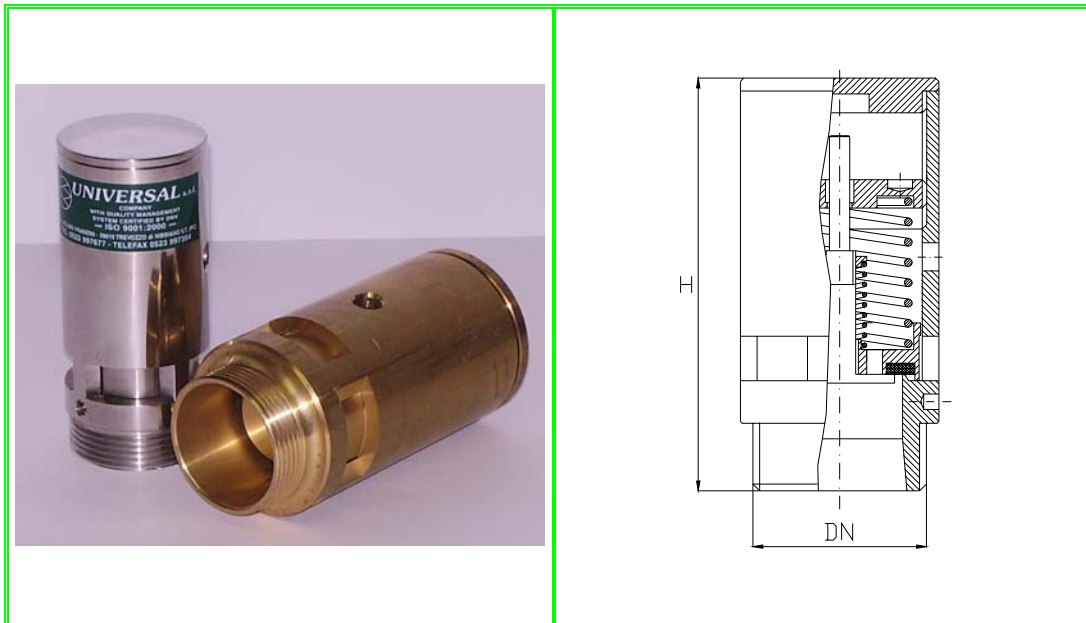
TYPE	d0 Ø mm.	DN "G.	d1 Ø mm.	DN1 "G.	A mm.	B Ø mm.		C mm.		D Ø mm.		H mm.		WEIGHT Kg.		K	LIFT mm.	PN	SET PRESSURE ADJUSTMENT RANGE bar
						bronze	316 SS	bronze	316 SS	bronze	316 SS	bronze	316 SS	bronze	316 SS				
H2N	2.5	1/4 3/8	-	-	22	-	-	-	-	-	-	84	102	0,220	0,240	0,05	4,5	DA 100 A 400	10 ÷ 400
H2C		1/2	10	1/2		35	35	19	16	23	23	100	102	0,330	0,330				0,5 ÷ 100
H5N	5	1/4 3/8	-	-	22	-	-	-	-	-	-	84	102	0,220	0,240		6,5		10 ÷ 400
H5C		1/2	10	1/2		35	35	19	16	23	23	100	102	0,330	0,330				
HP4/5N	4/5	3/8 1/2	-	-	28	-	-	-	-	-	-	118	120	0,430	0,430	0,76	6,5	10 ÷ 400	
HP4C/5C		3/4	14	1/2		35	35	25	25	30	30	128	130	0,580	0,580				0,5 ÷ 100
HP10C	10	1/2 3/4	14	1/2	28	35	35	25	25	30	30	128	130	0,580	0,580	0,76	8	10 ÷ 400	
HHP7N	7	3/4 1	-	-	40	-	-	-	-	-	-	155	161	1,200	1,150	0,95			10 ÷ 400
HHP7C	7		26	3/4		51	54	46	54	53	60	192	195	2,350	2,300	0,96			
HHP10N	10	3/4 1	-	-	40	-	-	-	-	-	-	155	161	1,200	1,150	0,95			10 ÷ 200
HHP10C	10		26	3/4		51	54	46	54	53	60	192	195	2,350	2,300	0,96			

**DOUBLE ACTING SAFETY VALVES**

These safety valves can satisfy, in the same time, two requirements for tanks and vessels, during loading and unloading operations:

- 1) to avoid dangerous overpressures
- 2) to avoid crushings due to internal depressions.

These valves are particularly suitable for tanks on trucks used for transport of cement, powders, flours and cereals.  
 The set pressure is on customer request, but the depression set is fixed at 0,01 bar.  
 Valve dimensions are really close, so they can be used in all situations and in all plants.



MATERIALS			
BODY AND ACCESSORIES	EN 12164 CW 614N BRASS EN 1982 Cu Sn5 Zn5 Pb5 BRONZE 316 L STAINLESS STEEL		
GASKET	N.B.R. -20°C++100°	NEOPRENE - 50°C ++150°	E.P.D.M. -50°C++150°
	SILICONE -60°C++200°	VITON -30°C++200°	VULKOLLAN -20°C++120°
SPRING	302 STAINLESS STEEL		
TYPE R30	DN Ø 1”1/4 – 1”1/2	H = 110	
TYPE R40	DN 1”1/2 – 2”	H = 125	