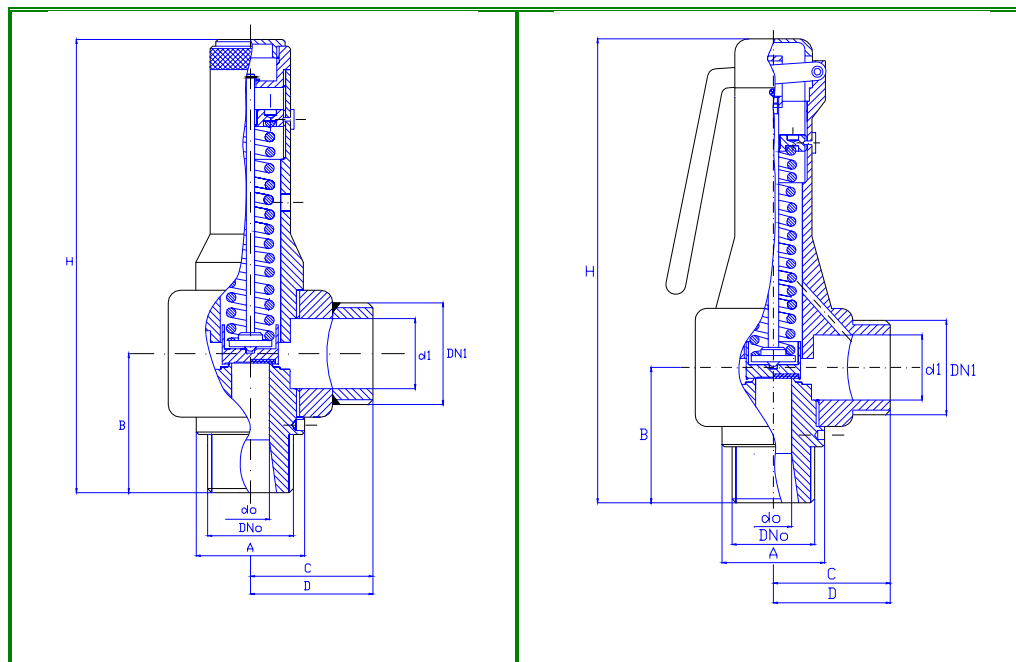


C TYPE	CL TYPE
--------	---------



SAFETY VALVES WITH CONVEYED DISCHARGE

MATERIALS

EN 12164 CW 614N BRASS

EN 1982 Cu Sn5 Zn5 Pb5 BRONZE

316 L STAINLESS STEEL

OVERPRESSURE 10%

BLOWDOWN 10%

CONNECTIONS TYPE

GAS MALE, GAS FEMALE, NPTM, NPTF, DIN, TRI CLAMP, SMS, OTHERS ON SPECIFIC REQUEST

TYPE	d0 Ø mm.	DN "G.	d1 Ø mm.	DNI "G.	A mm.	B Ø mm.		C mm.		D Ø mm.		H mm.		WEIGHT Kg.		K	LIFT mm.	PN	SET PRESSURE ADJUSTMENT RANGE bar
						bronze	316 L	bronze	316 L	bronze	316 L	bronze	316 L	bronze	316 L				
S25C	24,2	1 1/4	32	2	50	60	62	60	62	67	70	217	219	3,800	3,300	0,82	10	IN 40 OUT 16	0,4 ÷ 30
S25CL												236	238	4,000	3,350				
S32C	31,2	1 1/2	38	2	60	68	69	61	69	68	76	260	261	5,200	4,500	0,82	12	IN 40 OUT 16	0,4 ÷ 30
S32CL												283	284	5,300	4,500				
S40C	38	2	48	2 1/2	70	78	77	71	77	80	85	300	299	7,300	6,200	0,82	14	IN 40 OUT 16	0,4 ÷ 30
S40CL												325	324	7,300	6,200				