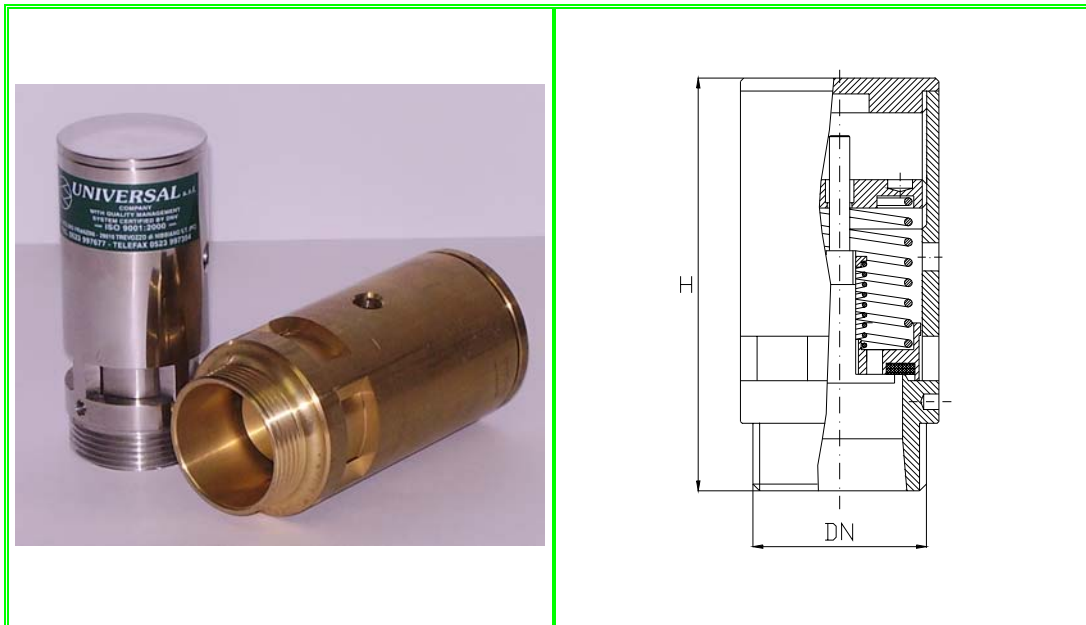


DOUBLE ACTING SAFETY VALVES

These safety valves can satisfy, in the same time, two requirements for tanks and vessels, during loading and unloading operations:

- 1) to avoid dangerous overpressures
- 2) to avoid crushings due to internal depressions.

These valves are particularly suitable for tanks on trucks used for transport of cement, powders, flours and cereals.
 The set pressure is on customer request, but the depression set is fixed at 0,01 bar.
 Valve dimensions are really close, so they can be used in all situations and in all plants.



MATERIALS			
BODY AND ACCESSORIES	EN 12164 CW 614N BRASS EN 1982 Cu Sn5 Zn5 Pb5 BRONZE 316 L STAINLESS STEEL		
GASKET	N.B.R. -20°C++100°	NEOPRENE - 50°C ++150°	E.P.D.M. -50°C++150°
	SILICONE -60°C++200°	VITON -30°C++200°	VULKOLLAN -20°C++120°
SPRING	302 STAINLESS STEEL		
TYPE R30	DN Ø 1”1/4 – 1”1/2	H = 110	
TYPE R40	DN 1”1/2 – 2”	H = 125	